



Lighting a  
bright life

# ***LED Lighting Solutions Catalogue***







## About us

Levin Lighting is a lighting technology brand from Europe, with the sole intention of offering innovative, sustainable lighting solutions that improve lighting quality, energy efficiency, and enhance the environment you live in. Our mission is to provide lighting solutions for indoor and outdoor applications that are not only reasonably priced but, due to our high-quality engineering and extensive research, veritably “light-up your lives.” Our products are a result of rigorous R&D and very Stringent quality measurements, expected of an international brand thanks to our highly experienced team our meticulous quality control and attention to detail at every stage of the manufacturing process are of the utmost importance in our adherence to global standards. Each material used in our final product is checked to ensure the highest quality and performance specifications. All our products incorporate our life comfort commitment, making your environment more comfortable to live in. Constant innovation is a hallmark of the LEVIN brand, and we strive to bring you consistent quality at an affordable price. Since we have a responsibility to care for and protect the environment in which we operate, we are continually looking for new methods and materials to provide environmentally friendly solutions and our dedicated R&D Team is constantly striving towards sustainable materials and enhancing our competitive edge by offering new products that strengthen our position in the marketplace. We strongly believe in building a lasting relationship with our customers through integrity and innovation and are committed to provide you with lighting products which are consistent in quality and affordable so you can bring the mood, attitude, and energy to your environment. Thank you and we look forward to your continuing patronage.

# Certificates





# LED Lighting Source



7W A-Bulb



9W A-Bulb



12W A-Bulb



15W A-Bulb



20W T-Bulb



30W T-Bulb



40W T-Bulb



50W T-Bulb



6W T-Candle



6W Candle



6W GU10 Halogen



7W GU10 Halogen

# Indoor Lighting



8W Recessed Spotlight

---



8W Recessed Downlight



12W Recessed Downlight



Recessed 3-Step Dimmable Downlight



9W Recessed Tunable Downlight

---



7W COB Downlight



15W COB Downlight



20W COB Downlight

---

Recessed Adjustable Round Panels



8W



18W



24W



36W

# Indoor Lighting

## Recessed Adjustable Square Panels



8W



18W



24W



36W



45W Recessed 60×60 Panel



65W Recessed 60×60 Panel



45W Recessed / Surface 60×60 Panel



65W Recessed / Surface 60×60 Panel



20W Indoor Linear Light



40W Indoor Linear Light



80W Indoor Linear Light



Indoor Strip Light

# Outdoor Lighting



30W LED Floodlight



50W LED Floodlight



100W LED Floodlight



150W LED Floodlight

---



100W High Bay LED Light



150W High Bay LED Light



200W High Bay LED Light

---



6W Wall Washer LED Light



12W Wall Washer LED Light



24W Wall Washer LED Light

---



20W IP66 Outdoor Linear LED Light



38W IP66 Outdoor Linear LED Light

# LED Lighting Source

The background features a dark purple gradient. On the left, a light grey triangle points towards the center. In the bottom right, there is a 3D geometric shape composed of several purple triangles, resembling a stylized cube or prism.



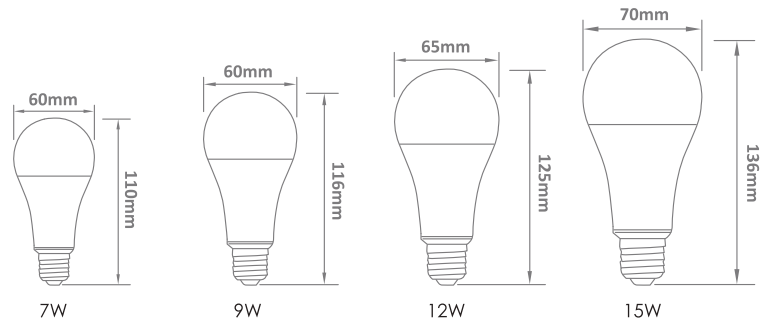
# LED Bulb Lamps

## Applications

- ✓ Residential
- ✓ Office
- ✓ Hotels
- ✓ Shops
- ✓ Museums



## A-Bulb LED Lamps



2700 to 10000 °K

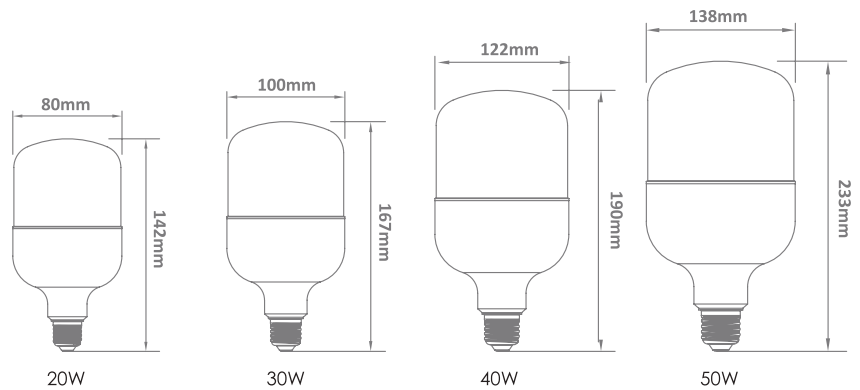


Name	Power	Code	Color Temperature	Luminous Flux	Luminous Efficiency	Lumen Maintenance	CRI	SDCM	Beam Angle	Nominal Current	Nominal Voltage	Frequency	PF	Ta	Weight	Dimension D x L	Cap
	W		°K	lm	lm/W	%	%	-	-	mA	V	Hz	λ	°C	g	mm	
A-Bulb LED Lamp	7	10965	6500	630	90~95	> 70	> 80	< 7	220°	58	220~240	50~60	> 0.5	-10~40	26	60 x 110	E27
		10930	3000	595	85~90											60 x 116	
	9	10165	6500	800	90~95										30	60 x 116	
		10130	3000	750	85~90												
	12	10265	6500	1000	85~90										38	65 x 125	
		10230	3000	950	80~85												
	15	11065	6500	1350	90~95										42	70 x 136	
		11030	3000	1275	85~90												

- The tolerance of the measured parameters is ±5%
- Customized options are available: Different color temperatures (2700 to 10000 °K), and CRI > 90



## T-Bulb LED Lamps

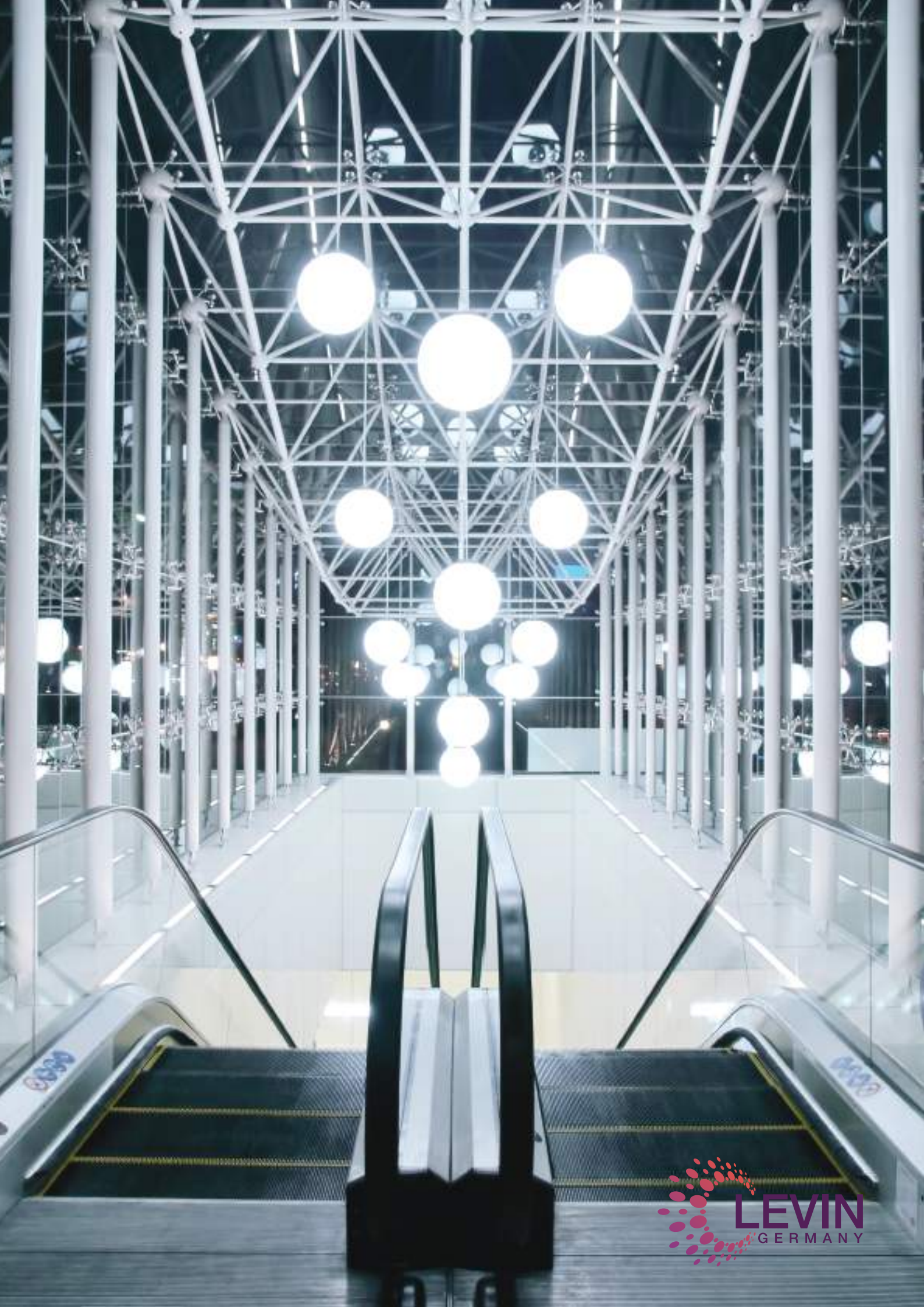


2700 to 10000 °K



Name	Power	Code	Color Temperature	Luminous Flux	Luminous Efficiency	Lumen Maintenance	CRI	SDCM	Beam Angle	Nominal Current	Nominal Voltage	Frequency	PF	Ta	Weight	Dimension D x L	Cap									
	W		°K	lm	lm/W	%	%	-	-	mA	V	Hz	λ	°C	g	mm										
T-Bulb LED Lamp	20	10465	6500	1800	90~95	> 70	> 80	< 7	220°	160	175~265	50~60	> 0.5	-10~40	63	80 x 142	E27									
		10430	3000	1700	85~90					98					100 x 167											
	30	10565	6500	3000	100~105					232					150	122 x 190										
		10530	3000	2850	95~100					310					210	138 x 233										
	40	11165	6500	4000	100~105					380																
		11130	3000	3800	95~100																					
	50	10665	6500	4500	90~95																					
		10630	3000	4350	85~90																					

- The tolerance of the measured parameters is ±5%
- Customized options are available: Different color temperatures (2700 to 10000 °K), and CRI > 90



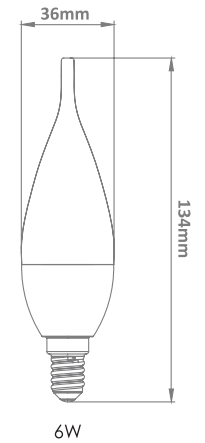
# LED Candle Lamps

## Applications

- ✓ Residential
- ✓ Chandeliers with E14 cap
- ✓ Decorative lighting
- ✓ Hotels



## T-Candle LED Lamp



2700 to 10000 °K

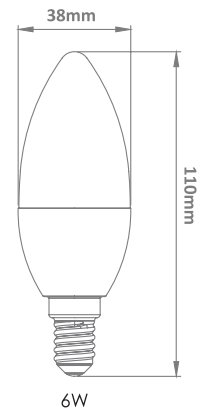


Name	Power	Code	Color Temperature	Luminous Flux	Luminous Efficiency	Lumen Maintenance	CRI	SDCM	Beam Angle	Nominal Current	Nominal Voltage	Frequency	PF	Ta	Weight	Dimension D×L	Cap
	W		°K	lm	lm/W	%	%	-	-	mA	V	Hz	λ	°C	g	mm	
T-Candle LED Lamp	6	10765	6500	660	110~115	>70	>70	<7	220°	55	175~265	50~60	>0.6	-10~40	25	36×134	E14
		10730	3000	600	100~110												

- The tolerance of the measured parameters is ±5%
- Customized options are available: Different color temperatures (2700 to 10000 °K), and CRI > 90



## Candle LED Lamp



2700 to 10000 °K



Name	Power	Code	Color Temperature	Luminous Flux	Luminous Efficiency	Lumen Maintenance	CRI	SDCM	Beam Angle	Nominal Current	Nominal Voltage	Frequency	PF	Ta	Weight	Dimension D×L	Cap
	W		°K	lm	lm/W	%	%	-	-	mA	V	Hz	λ	°C	g	mm	
Candle LED Lamp	6	11265	6500	660	110~115	>70	>70	<7	220°	55	175~265	50~60	>0.6	-10~40	25	38×110	E14
		11230	3000	600	100~110												

- The tolerance of the measured parameters is ±5%
- Customized options are available: Different color temperatures (2700 to 10000 °K), and CRI > 90



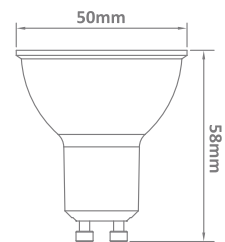
# LED Halogen Lamps

## Applications

- ✓ Residential
- ✓ Decorative lightening
- ✓ Hotels
- ✓ Shops



## GU10 Halogen LED Lamp



2700 to 10000 °K



Name	Power	Code	Color Temperature	Luminous Flux	Luminous Efficiency	Lumen Maintenance	CRI	SDCM	Beam Angle	Current	Nominal Voltage	Frequency	PF	Ta	Weight	Dimension D x L	Socket
	W		°K	lm	lm/W	%	%	-	-	mA	V	Hz	λ	°C	g	mm	
GU10 Halogen LED Lamp	6	10865	6500	560	95~100	> 70	> 80	< 7	60°	55	220~240	50~60	> 0.55	-10~40	30	50x58	GU10
		10830	3000	530	90~95												
	7	11365	6500	665	95~100												
		11330	3000	630	90~95												

- The tolerance of the measured parameters is ±5%
- Customized options are available: Different color temperatures (2700 to 10000 °K), and CRI > 90

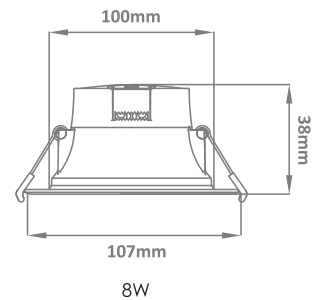
# LED Downlights and Spotlights

## Applications

- ✓ Residential
- ✓ Showrooms
- ✓ Hotels
- ✓ Shops
- ✓ Museums
- ✓ Decorative lighting



## Recessed Spotlight



2700 to 10000 °K

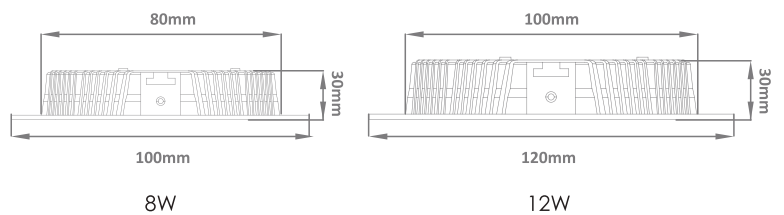


Name	Power	Code	Color Temperature	Luminous Flux	Luminous Efficiency	Lumen Maintenance	CRI	SDCM	Beam Angle	Nominal Current	Nominal Voltage	Frequency	PF	Ta	Weight	Dimension D x H / Cut-out
	W		°K	lm	lm/W	%	%	-	-	mA	V	Hz	λ	°C	g	mm
Recessed Spotlight	8	30265	6500	810	100 ~ 105	> 80	> 80	< 7	15°	60	220 ~ 240	50 ~ 60	> 0.5	-10 ~ 40	100	107 x 38 / 100
		30230	3000	760	95 ~ 100				30°							

- The tolerance of the measured parameters is ±5%
- Customized options are available: Different color temperatures (2700 to 10000 °K), and CRI > 90



## Recessed Downlight

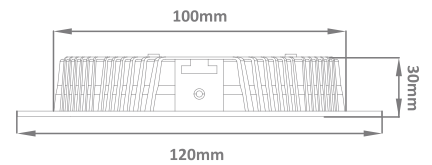


Name	Power	Code	Color Temperature	Luminous Flux	Luminous Efficiency	Lumen Maintenance	CRI	SDCM	Beam Angle	Nominal Current	Nominal Voltage	Frequency	PF	Ta	Weight	Dimension D x H / Cut-out
	W		°K	lm	lm/W	%	%	-	-	mA	V	Hz	λ	°C	g	mm
Recessed Downlight	8	30365	6500	520	65 ~ 70	> 80	> 70	< 7	120°	60	220 ~ 240	50 ~ 60	> 0.5	-10 ~ 40	80	100 x 30 / 80
		30330	3000	460	60 ~ 65											80
	12	30465	6500	980	80 ~ 85					95					120 x 30 / 100	
		30430	3000	920	75 ~ 80											

- The tolerance of the measured parameters is ±5%
- Customized options are available: Different color temperatures (2700 to 10000 °K), and CRI > 90



## Recessed 3 - Step Dimmable Downlight



2700 to 10000 °K

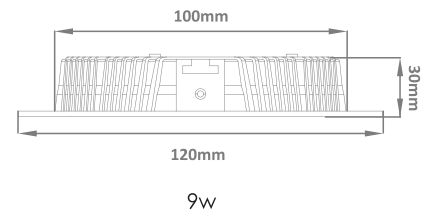


Name	Code	Step	Power	Color Temperature	Luminous Flux	Luminous Efficiency	Lumen Maintenance	CRI	SDCM	Beam Angle	Nominal Current	Nominal Voltage	Frequency	PF	Ta	Weight	Dimension
			W	°K	lm	lm/W	%	%	-	-	mA	V	Hz	λ	°C	g	D × H / Cut-out
Recessed 3 - Step Dimmable Downlight	30565	1	11	6500	980	90 ~ 95	> 80	> 70	< 3	120°	85	220 ~ 240	50 ~ 60	> 0.5	-10 ~ 40	95	120 × 30 / 100
		2	6		530						50						
		3	2		175						20						
	30530	1	11	930	85 ~ 90	85											
		2	6	505		50											
		3	2	170		20											

- The tolerance of the measured parameters is ±5%
- Customized options are available: Different color temperatures (2700 to 10000 °K), and CRI > 90



## Recessed Tunable Downlight



Name	Code	Color Temperature	Power	Luminous Flux	Luminous Efficiency	Lumen Maintenance	CRI	SDCM	Beam Angle	Nominal Current	Nominal Voltage	Frequency	PF	Ta	Weight	Dimension D x H / Cut-out
		°K	W	lm	lm/W	%	%	-	-	mA	V	Hz	λ	°C	g	mm
Recessed Tunable Downlight	30663	6500	9	690	75 ~ 80	> 70	> 70	< 3	120°	70	220 ~ 240	50 ~ 60	> 0.5	-10 ~ 40	95	120 x 30 / 100
		4000		780	85 ~ 90											
		3000		680	75 ~ 80											

- The tolerance of the measured parameters is ±5%
- Customized options are available: Different color temperatures (2700 to 10000 °K), and CRI > 90



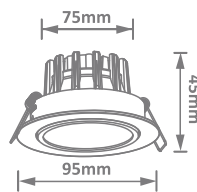
# COB Lights

## Applications

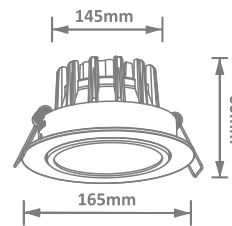
- ✓ High Ceilings
- ✓ Shopping Malls
- ✓ Hospitals
- ✓ Exhibition
- ✓ Warehouses



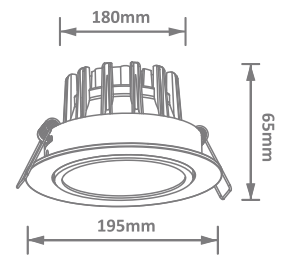
## COB Downlights



7W



15W



20W

2700 to 10000 °K



Name	Power	Code	Color Temperature	Luminous Flux	Luminous Efficiency	Lumen Maintenance	CRI	SDCM	Beam Angle	Nominal Voltage	Frequency	PF	Ta	Weight	Dimension
	W		°K	lm	lm/W	%	%	-	-	V	Hz	λ	°C	g	D × H / Cut-out
COB Downlights	7	70130	3000	550	80 ~ 85	> 80	> 80	< 7	60°	220 ~ 240	50 ~ 60	> 0.98	-20 ~ 45	90	95 × 45 / 75
			6500	600	85 ~ 90										
	15	70230	3000	1200	80 ~ 85										
			6500	1275	85 ~ 90										
	20	70330	3000	1600	80 ~ 85										
			6500	1760	85 ~ 90										

- The tolerance of the measured parameters is ±5%
- Customized options are available: Different color temperatures (2700 to 10000 °K), and CRI > 90

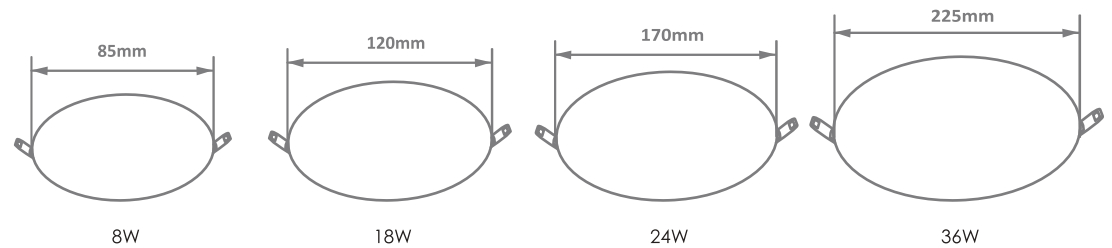
# Adjustable LED Panels Light

## Applications

- ✓ Applications
- ✓ Office
- ✓ Clinic
- ✓ Hospital
- ✓ Conference hall
- ✓ Shopping center



## Recessed Adjustable Round Panels



2700 to 10000 °K

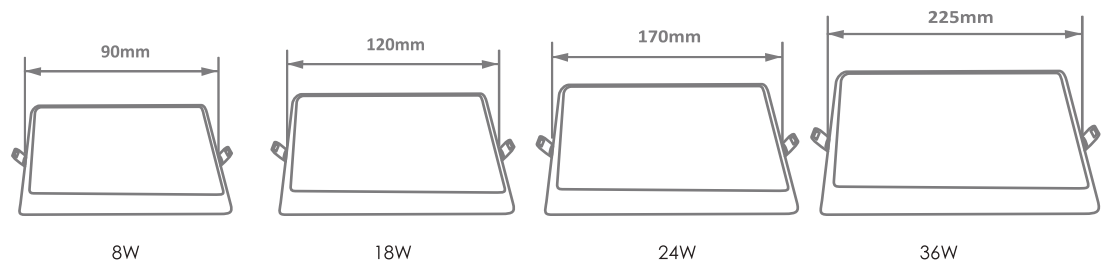


Name	Power	Code	Color Temperature	Luminous Flux	Luminous Efficiency	Lumen Maintenance	CRI	SDCM	Beam Angle	Nominal Current	Nominal Voltage	Frequency	PF	Ta	Weight	Dimension
	W		°K	lm	lm/W	%	%	-	-	mA	V	Hz	λ	°C	g	D × H / Cut-out mm
Recessed Round Fulllight Panels	8	31530	6500	565	80 ~ 85	> 80	> 80	< 7	120°	55	220 ~ 240	50 ~ 60	> 0.5	-10 ~ 40	67	85 × 25 / 45 × 75
		31565	3000	595	85 ~ 90											80 × 25 / 45 × 75
	18	31630	6500	1450	80 ~ 85					134					80	120 × 25 / 45 × 105
		31665	3000	1530	90 ~ 95											
	24	31730	6500	1880	80 ~ 85					173					144	170 × 25 / 45 × 155
		31765	3000	1980	90 ~ 95											
	36	31830	6500	2735	80 ~ 85					252					190	225 × 25 / 45 × 205
		31865	3000	2880	90 ~ 95											

- The tolerance of the measured parameters is ±5%
- Customized options are available: Different color temperatures (2700 to 10000 °K), and CRI > 90



## Recessed Adjustable Square Panels



2700 to 10000 °K



Name	Power	Code	Color Temperature	Luminous Flux	Luminous Efficiency	Lumen Maintenance	CRI	SDCM	Beam Angle	Nominal Current	Nominal Voltage	Frequency	PF	Ta	Weight	Dimension
	W		°K	lm	lm/W	%	%	-	-	mA	V	Hz	λ	°C	g	W × L × H / Cut-out mm
Recessed Square Fulllight Panels	8	31930	3000	565	80 ~ 85	> 80	> 80	< 7	120°	55	220 ~ 240	50 ~ 60	> 0.5	-10 ~ 40	70	90 × 85 × 20 / 40 × 75
		31965	6500	595	85 ~ 90											85
	18	32030	3000	1450	80 ~ 85					134					150	170 × 170 × 20 / 40 × 155
		32065	6500	1530	90 ~ 95											200
	24	32130	3000	1880	80 ~ 85					173					200	225 × 225 × 23 / 40 × 205
		32165	6500	1980	90 ~ 95											200
	36	32230	3000	2735	80 ~ 85					252					200	225 × 225 × 23 / 40 × 205
		32265	6500	2880	90 ~ 95											200

- The tolerance of the measured parameters is ±5%
- Customized options are available: Different color temperatures (2700 to 10000 °K), and CRI > 90



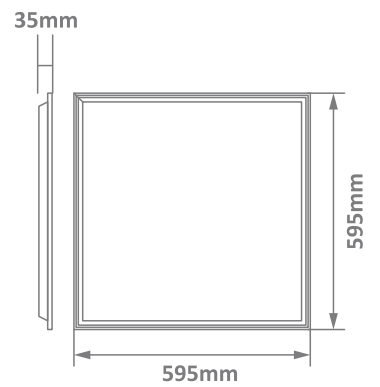
# LED Panel LightS

## Applications

- ✓ Office
- ✓ Clinic
- ✓ Hospital
- ✓ Conference hall
- ✓ Shopping center



## Recessed 60×60 Panel



2700 to 10000 °K

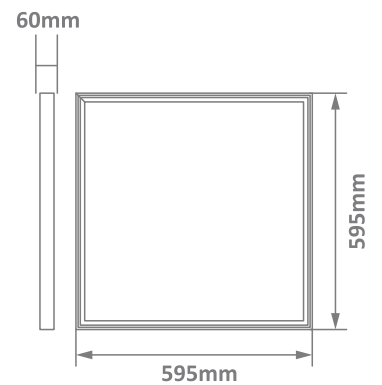


Name	Type	Code	Color Temperature	Power	Current	Nominal Voltage	Frequency	PF	Luminous Flux	Luminous Efficiency	Lumen Maintenance	CRI	SDCM	Beam Angle	Ta	Weight	Dimension W × L × H
			°K	W	mA	V	Hz	λ	lm	lm/W	%	%	-	-	°C	g	mm
Recessed 60×60 Panel	Backlit Recessed	30130	3000	45	250	220~240	50~60	>0.55	3300	75~80	>80	>80	<3	120°	-10~40	1400	595×595×35
				65	340				4000	65~70							
		30140	4000	45	250				3450	80~85							
				65	340				4150	65~70							
		30165	6500	45	250				3500	80~85							
				65	340				4200	65~70							

- The tolerance of the measured parameters is ±5%
- Customized options are available: Different color temperatures (2700 to 10000 °K), and CRI > 90



## Recessed / Surface Mounting 60×60 Panel



2700 to 10000 °K



Name	Type	Code	Color Temperature	Power	Current	Nominal Voltage	Frequency	PF	Luminous Flux	Luminous Efficiency	Lumen Maintenance	CRI	SDCM	Beam Angle	Ta	Weight	Dimension W × L × H
			°K	W	mA	V	Hz	λ	lm	lm/W	%	%	-	-	°C	g	mm
Recessed / Surface Mounting 60×60 Panel	Backlit Recessed / Surface Mounting	30730	3000	45	300	220~240	50~60	>0.6	3900	85~90	>80	>85	<3	120°	-10~40	3000	595×595×60
			65	480	5700				90~95								
		30740	4000	45	300				4150	90~95							
			65	480	6000				95~100								
		30750	5000	45	300				4200	95~100							
				65	480				6100	95~100							

- The tolerance of the measured parameters is ±5%
- Customized options are available: Different color temperatures (2700 to 10000 °K), and CRI > 90



# Indoor Lighting

The background features a dark purple gradient. On the left, a large, light grey triangle points towards the center. In the bottom right corner, there is a 3D geometric shape composed of several dark purple triangles, resembling a stylized cube or prism.



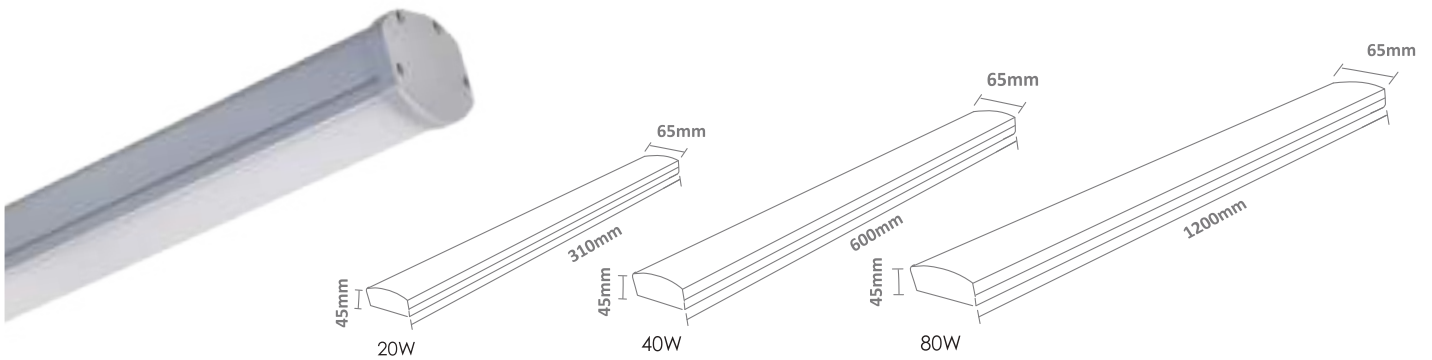
# LED Indoor Linear Light

## Applications

- ✓ Corridor
- ✓ Office
- ✓ Showroom
- ✓ Hotel
- ✓ Warehouse
- ✓ Workshop
- ✓ Shopping center



## Indoor Linear Light



2700 to 10000 °K



Name	Power	Code	Color Temperature	Luminous Flux	Luminous Efficiency	Lumen Maintenance	CRI	SDCM	Beam Angle	Nominal Voltage	Frequency	PF	Ta	Dimension L × W × H
	W		°K	lm	lm/W	%	%	-	-	V	Hz	λ	°C	mm
Indoor Linear Light	20	30830	3000	1600	80 ~ 85	> 80	> 80	< 7	120°	220 ~ 240	50 ~ 60	> 0.5	-10 ~ 40	310 × 65 × 45
		30865	6500	1700	85 ~ 90									600 × 65 × 45
	40	30930	3000	3500	85 ~ 90									1200 × 65 × 45
		30965	6500	3650	90 ~ 95									
	80	31430	3000	7000	90 ~ 95									
		31465	6500	7800	95 ~ 100									

- The tolerance of the measured parameters is ±5%
- Customized options are available: Different color temperatures (2700 to 10000 °K), and CRI > 90

# LED Indoor Strip Light

## Applications

- ✓ Decorative lighting
- ✓ Restaurants
- ✓ Showrooms
- ✓ Hotels
- ✓ Shops



## Indoor Strip Light



Name	IP	Code	Power	Luminous Flux	Luminous Efficiency	CRI	Beam Angle	LED		Frequency	Ta	Dimension L	Adaptor	Controller
			W / m	Lm/m	lm/W	%	-	Type	PCs/m	Hz	°C	m	-	-
5m Indoor Strip Light	IP20	901	5	400	> 75	> 70	120°	5050 RGB	60	50 ~ 60	-20 ~ 50	5	1 × 12V 2A EU	WiFi 24 keys RGB Single Output
10m Indoor Strip Light		903										10	1 × 12V 5A EU	WiFi 24 keys RGB Double Output

- The tolerance of the measured parameters is ±5%
- Different colors

The background features a dark purple gradient with several geometric shapes. A large, light grey triangle points towards the center from the left. In the bottom right, there is a 3D effect of a cube or rectangular prism, with its top and right faces in a slightly lighter shade of purple than the background, and its bottom face appearing to sit on a white surface.

# Outdoor Lighting



# LED Floodlights

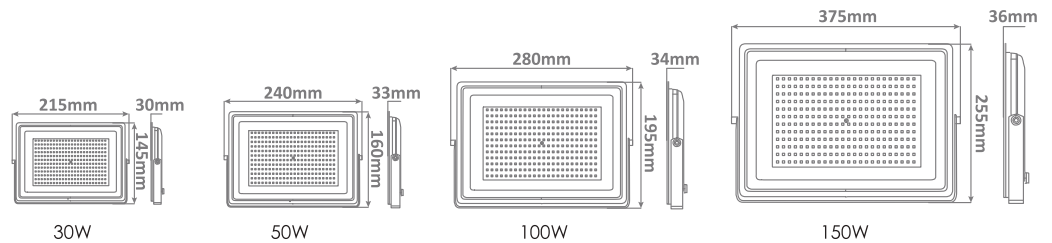
## Applications

- ✓ Facades
- ✓ Large outdoor areas
- ✓ Passages and public areas
- ✓ Stadiums
- ✓ Sport Fields
- ✓ Parks and gardens
- ✓ Billboards
- ✓ Warehouse



Ultra Slim Design

## LED Floodlights



2700 to 10000 °K



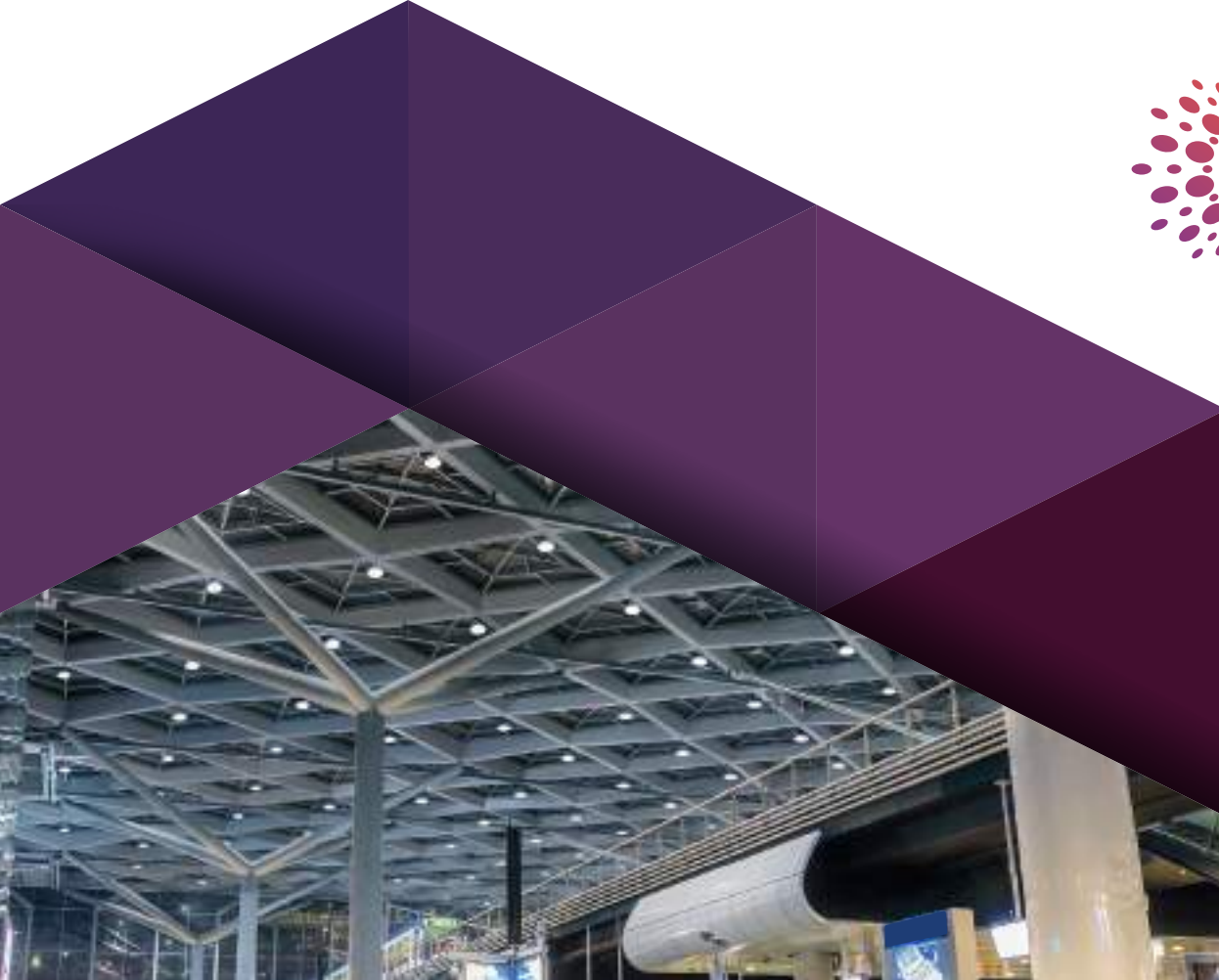
Name	Power	Code	Color Temperature	Luminous Flux	Luminous Efficiency	Lumen Maintenance	CRI	SDCM	Beam Angle	Nominal Current	Nominal Voltage	Frequency	PF	Ta	Weight	Dimension L x W x H		
	W		°K	lm	lm/W	%	%	-	-	mA	V	Hz	λ	°C	g	mm		
LED Floodlights	30	20165	6500	2800	95 ~ 100	> 80	> 80	< 7	120°	230	220 ~ 240	50 ~ 60	> 0.6	-20 ~ 50	590	215 x 145 x 30		
		20130	3000	2600	90 ~ 95											240 x 160 x 33		
	50	20265	6500	4900	100 ~ 105											370	770	280 x 160 x 33
		20230	3000	4700	95 ~ 100													
	100	20365	6500	8000	90 ~ 95											640	1120	280 x 195 x 34
		20330	3000	7700	85 ~ 90													
	150	20465	6500	13500	95 ~ 100											1100	2000	375 x 255 x 36
		20430	3000	13000	90 ~ 95													

- The tolerance of the measured parameters is ±5%
- Customized options are available: Different color temperatures (2700 to 10000 °K), and CRI > 90

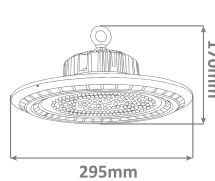
# LED High Bay Light

## Applications

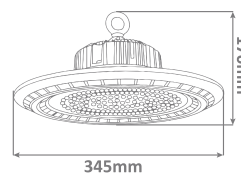
- ✓ Halls
- ✓ Trads Fairs
- ✓ Exhibitions
- ✓ Warehouses
- ✓ High-Ceiling
- ✓ Manufacturing bays
- ✓ Industrial sites
- ✓ Pools



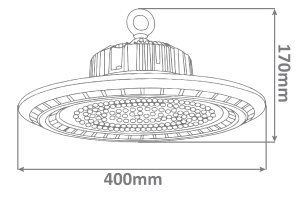
## LED High Bay Light



100W



150W



200W

2700 to 10000 °K



Name	Power	Code	Color Temperature	Luminous Flux	Luminous Efficiency	Lumen Maintenance	CRI	SDCM	Beam Angle	Nominal Voltage	Frequency	PF	Ta	Weight	Dimension D x H
	W		°K	lm	lm/W	%	%	-	-	V	Hz	λ	°C	g	mm
LED High Bay Light	100	60130	3000	9500	95 ~ 105	> 80	> 80	< 7	60°, 90°, 120°	220 ~ 240	50 ~ 60	> 0.9	-20 ~ 45	2100	295 x 170
		60150	5000	10000	100 ~ 110									3100	345 x 170
	150	60230	3000	14250	95 ~ 105									4200	400 x 170
		60250	5000	15000	100 ~ 110										
	200	60330	3000	19000	95 ~ 105										
		60350	5000	20000	100 ~ 110										

- The tolerance of the measured parameters is ±5%
- Customized options are available: Different color temperatures (2700 to 10000 °K), and CRI > 90

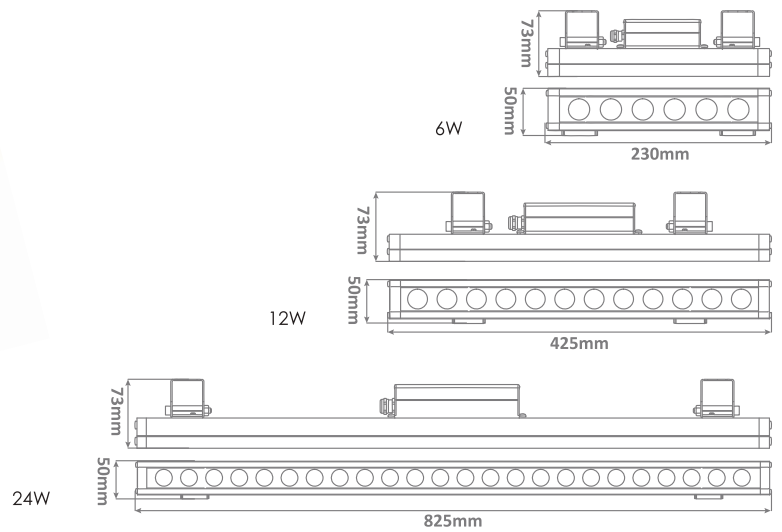
# LED Wall Washer Light

## Applications

- ✓ Facades
- ✓ Pillar facades
- ✓ Gate areas
- ✓ Billboards



## Wall Washer Lights



Name	Power	Code	Color Temperature	Luminous Flux	Luminous Efficiency	Lumen Maintenance	CRI	SDCM	Beam Angle	Nominal Voltage	Frequency	PF	Ta	Weight	Dimension w × L × H
	W		°K	lm	lm/W	%	%	-	-	V	Hz	λ	°C	g	mm
Wall Washer Light	6	80130	3000	540	90 ~ 95	> 70	> 70	< 6	30°	195 ~ 240	50 ~ 60	> 0.5	-20 ~ 45	610	50 × 230 × 73
		80165	6500	570	95 ~ 100										
	12	80230	3000	1080	90 ~ 95										
		80265	6500	1150	95 ~ 100										
	24	80330	3000	2160	90 ~ 95										
		80365	6500	2280	95 ~ 100										

- The tolerance of the measured parameters is ±5%
- Customized options are available: Different color temperatures (2700 to 10000 °K), and CRI > 90

# LED Outdoor Linear Light

## Applications

- ✓ Parking
- ✓ Warehouse
- ✓ Workshop
- ✓ Garage
- ✓ Corridor
- ✓ Wet location
- ✓ Shopping center



## IP66 Outdoor Linear LED Light



Name	Power	Code	Color Temperature	Luminous Flux lm	Luminous Efficiency lm/W	Lumen Maintenance %	CRI %	SDCM -	Beam Angle -	Nominal Voltage V	Frequency Hz	PF λ	Ta °C	Dimension L x W x H
	W		°K											mm
IP66 Outdoor Linear LED Light	20	31230	3000	1950	95 ~ 100	> 80	> 80	< 7	120°	175 ~ 245	50 ~ 60	> 0.5	-20 ~ 45	540 x 67 x 47
			6500											
	38	31330	3000	3500										1040 x 67 x 47
			6500											

- The tolerance of the measured parameters is ±5%
- Customized options are available: Different color temperatures (2700 to 10000 °K), and CRI > 90











Manufactured by Meshkat Electricals L.L.C

📍 Po.Box 181429, Dubai, United Arab Emirates

☎ +9714 323 1272

✉ info@meshkat-electricals.com



[www.levin-light.com](http://www.levin-light.com)